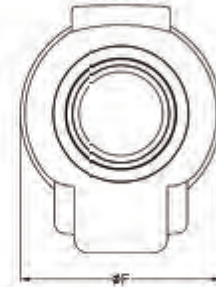
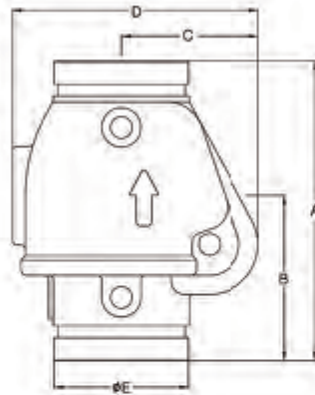


## Grooved End Swing Check Valve

**SCV**

SCV

**SPECIFICATIONS**

- WORKING PRESSURE 300 psi (21 bar)
- MAX. TEST PRESSURE 600 psi (42 bar)
- TEMPERATURE RANGE ~250°F (-120°C)

Install in Both Horizontal or Vertical Position

- \* Tapping bolted Possible NPT/PPT

**MATERIAL SPECIFICATIONS**

Component	Material
Body	ASTM A536
Seat Ring	Brass(ASTM C37700)
Clapper	ASTM A240
Rubber Ring	EPDM
Spring	ASTM A240
Hinge Pin	ASTM A240

**DIMENSIONS**

Nominal Valve Size Inches (DN)	Pipe OD Inches	Nominal Dimensions Inches (mm)						Weight Lbs. (kg)
		A	B	C	D	E	F	
2 (DN50)	2.37 (60.3)	6.34 (161.0)	3.54 (90.0)	2.80 (71.0)	5.02 (127.5)	2.37 (60.3)	4.21 (107.0)	6.24 (2.83)
2-1/2 (DN65)	2.88 (73.0)	7.06 (179.4)	3.91 (99.4)	3.19 (81.0)	5.71 (145.1)	2.87 (73.0)	4.74 (120.3)	8.80 (4.00)
76.1 (DN65)	3 (76.1)	7.06 (179.4)	3.91 (99.4)	3.19 (81.0)	5.71 (145.1)	2.87 (73.0)	4.74 (120.3)	8.80 (4.00)
3 (DN80)	3.5 (88.9)	7.80 (198.0)	4.29 (109.0)	3.61 (91.6)	6.44 (163.6)	3.5 (88.9)	5.24 (133.0)	13.23 (6.00)
4 (DN100)	4.5 (114.3)	8.62 (218.9)	4.06 (103.1)	4.25 (108.0)	7.71 (195.9)	4.50 (114.3)	6.49 (164.8)	19.84 (9.00)
DN150	6.5 (165.1)	6.63 (168.3)	5.12 (130.0)	5.43 (137.9)	9.56 (242.9)	6.63 (168.3)	8.00 (203.2)	37.48 (17.00)
6 (DN150)	6.63 (168.3)	6.63 (168.3)	5.12 (130.0)	5.43 (137.9)	9.56 (242.9)	6.63 (168.3)	8.00 (203.2)	37.48 (17.00)